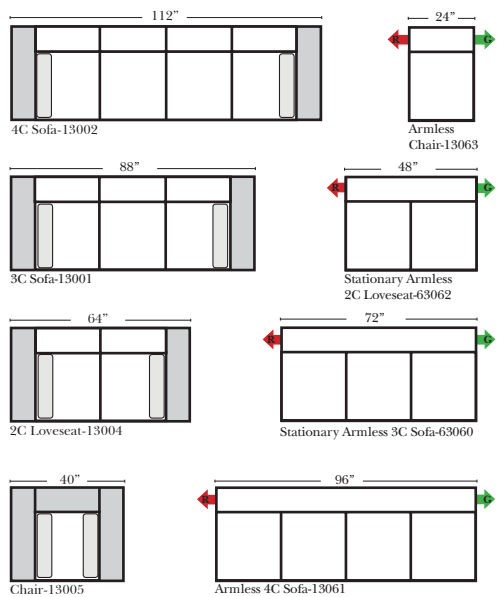
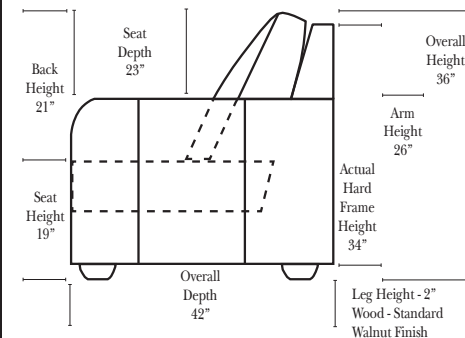
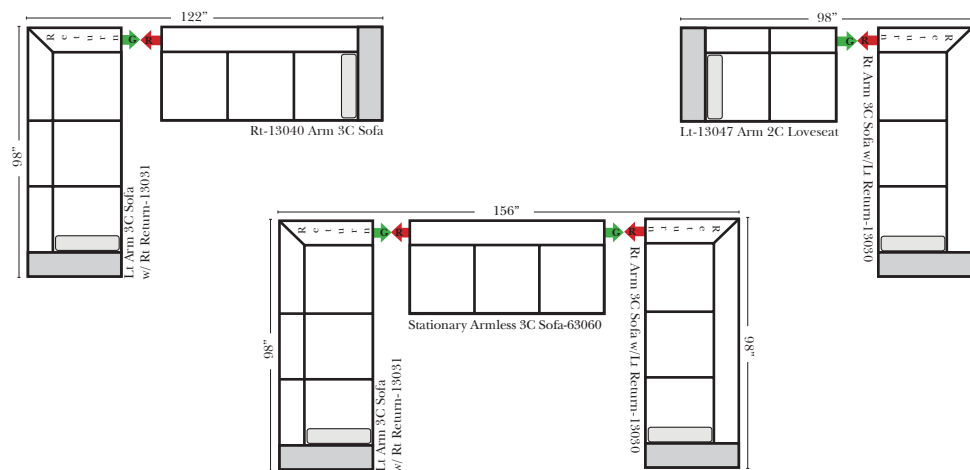


Standard & Ottomans



Suggested Configurations

The Suggested Configurations below are only a sample of what the imagination can create, please enjoy creating the configuration that fits your lifestyle, using the ideas below and from the items on the opposite page.



Standards & Options

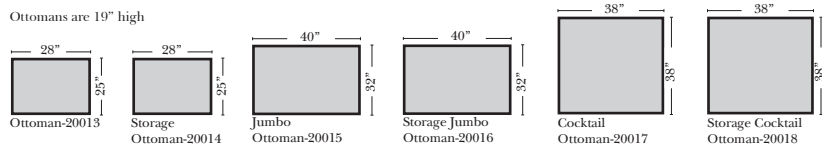
Standard:

- Available in Luxury Fabrics
- All Hardwood Frames
- Bolster Pillows (where indicated)
- Top Grain Leather on Outside Back, Top Rail, Outside Arms & Front Rail
- Nail Heads (where indicated) (removing nail heads is not an option)
- Wood Leg Finish (Standard is Walnut) (available in Cherry, Chocolate, Espresso, Honey Oak, & Shadow, no additional charge)

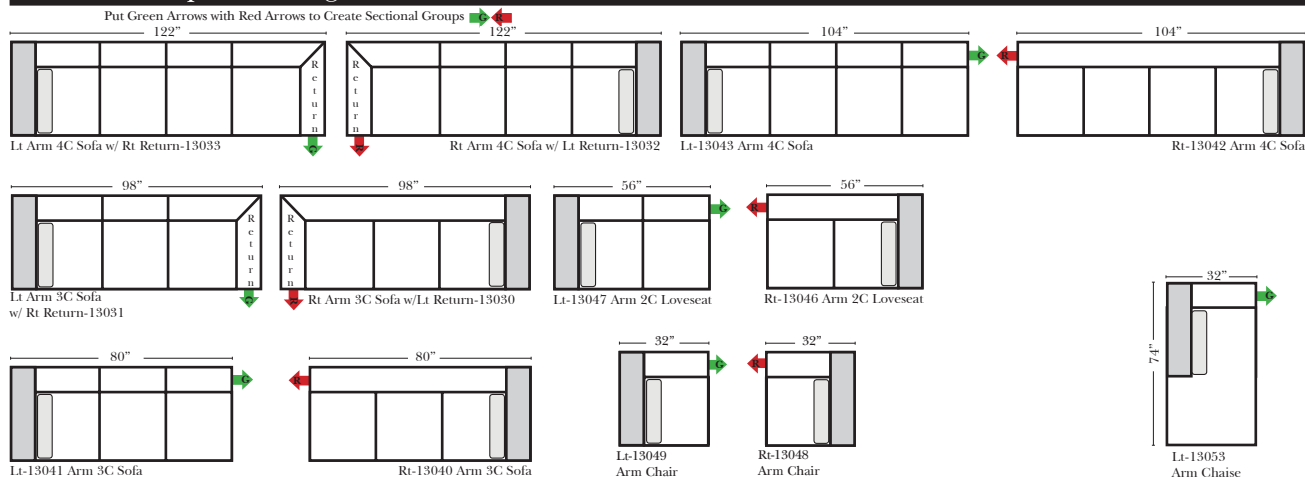
Options: (Additional Charges)

- Leather on Inside Back & Arms

Sleeper Options: (N/A on this Style)



L-Shape / 90 Degree Sectional



Note:

All Dimensions are approximate, if accuracy is crucial, please contact us for validation of the dimensions shown. However, a 1" to 2" variance can still apply due to foam and upholstery.