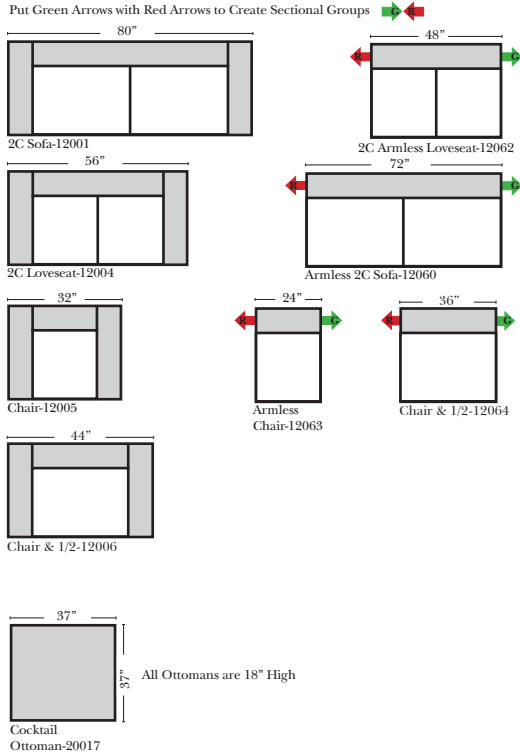
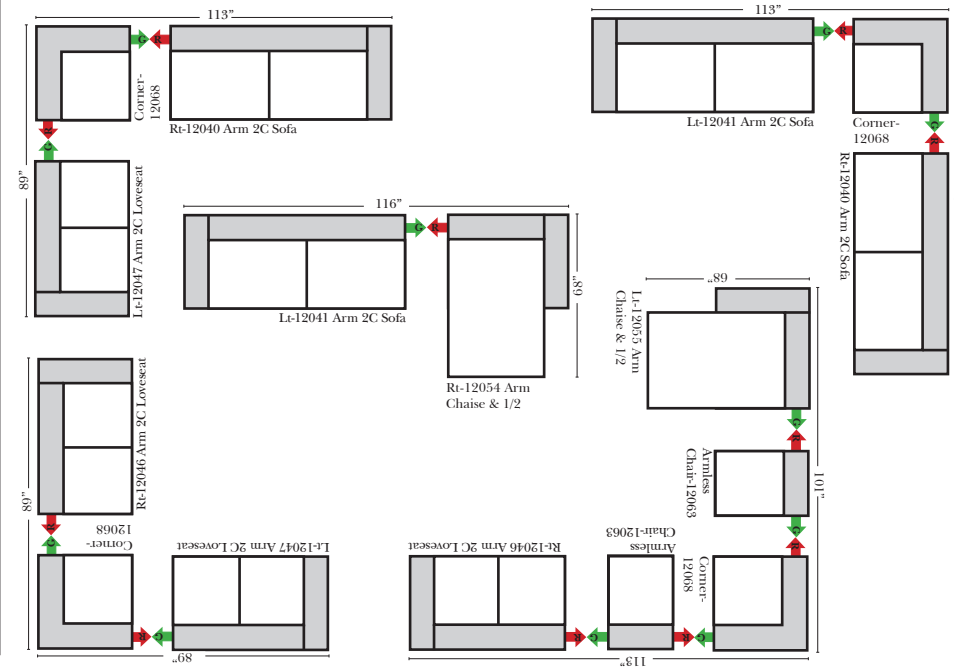


Standard / Ottomans / Armless

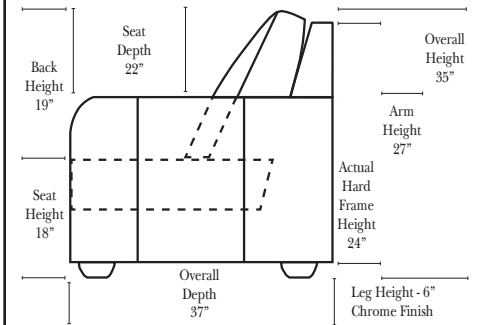


Suggested Configurations

The Suggested Configurations below are only a sample of what the imagination can create, please enjoy creating the configuration that fits your lifestyle, using the ideas below and from the items on the opposite page.



v.09.08.15



Standard & options

Standard:

- Available in Full & Top Grain Leathers
- Available in Luxury Fabrics
- All Hardwood Frames

Options: (No Additional Charge)

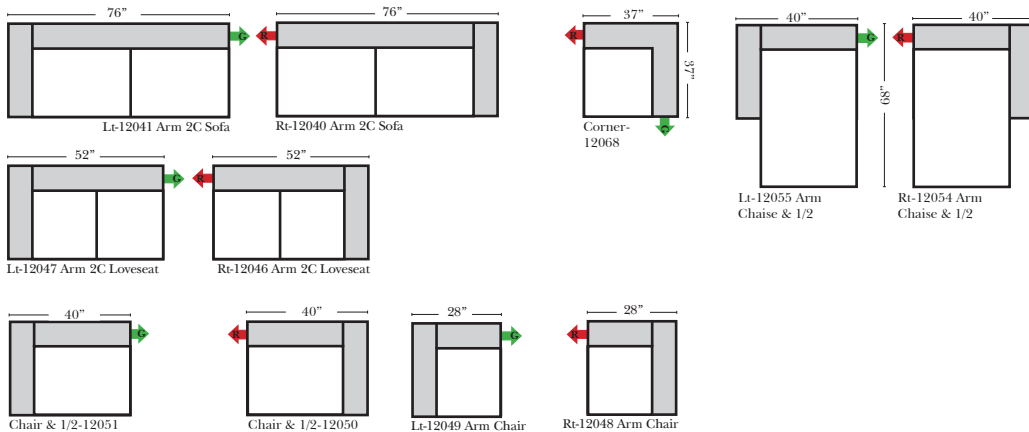
- No. 33 Firm Foam Cushions

Options: (additional Charge)

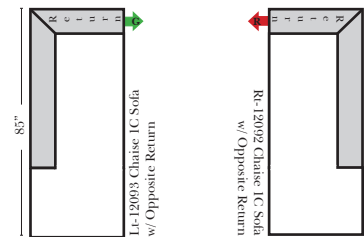
- Down Seats & Down Backs

L-Shape / 90 Degree Sectional / Chaise

Put Green Arrows with Red Arrows to Create Sectional Groups



Return Chaise



Note:

All Dimensions are approximate, if accuracy is crucial, please contact us for validation of the dimensions shown. However, a 1" to 2" variance can still apply due to foam and upholstery.