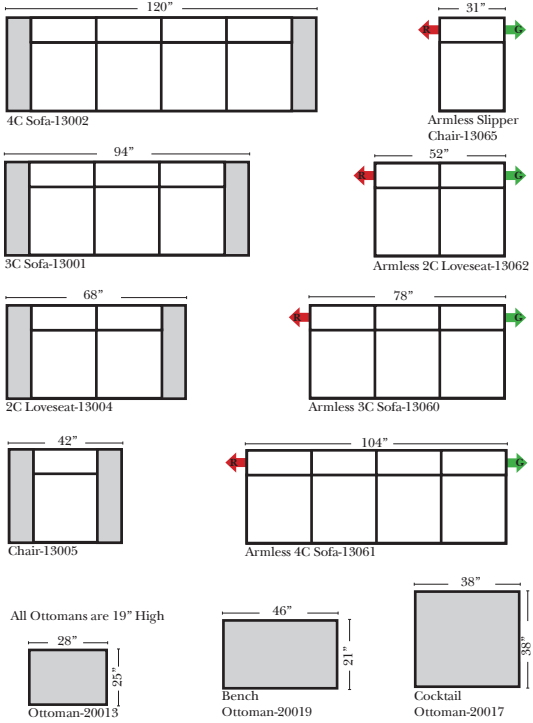


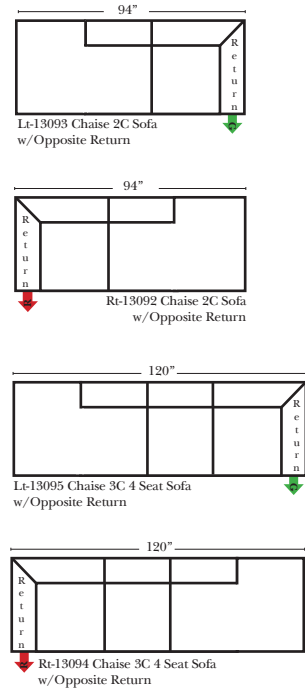
## Standard, Armless & Ottomans

Put Green Arrows with Red Arrows to Create Sectional Groups



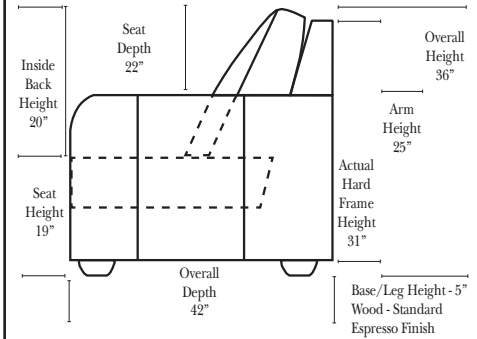
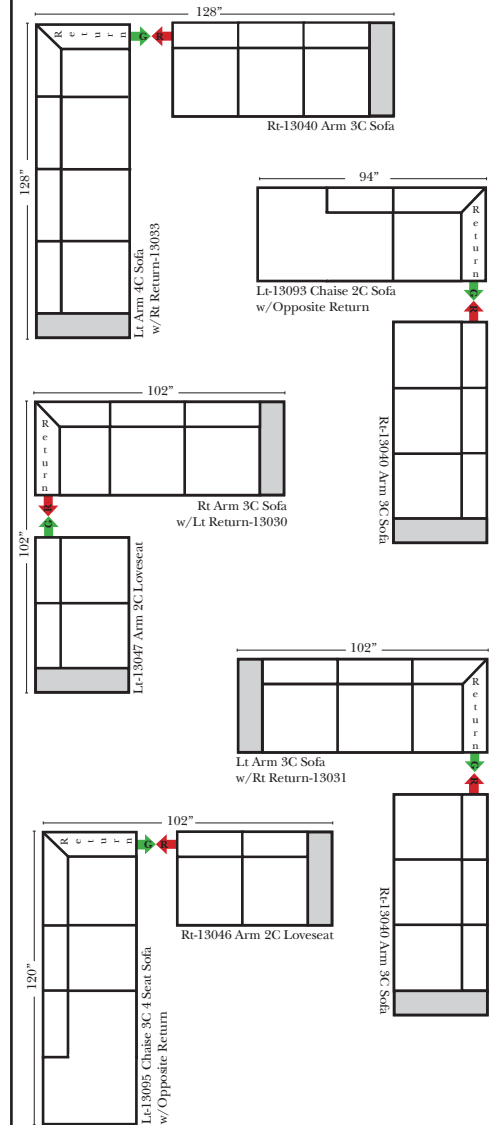
## Bumper Chaise & Return Chaise

Green Arrows with Red Arrows to mix with some of the L-Shaped pieces.



## Suggested Configurations

The Suggested Configurations below are only a sample of what the imagination can create, please enjoy creating the configuration that fits your lifestyle, using the ideas below and from the items on the opposite page.



## Specifications & Options

### Standard:

- Available in Full & Top Grain Leathers
- All Hardwood Frames
- Nail Heads (Where indicated)
- Leg Base Color - Espresso

### Options Available with No Additional Charge:

- Change Base Leg Color to: Cherry, Chocolate, Distressed Chocolate, Distressed Driftwood, Honey Oak, Shadow, & Walnut
- No. 33 Firm Foam

### Options that have Additional Charges:

- Add Down Seats & Backs

### Sleeper Options : (Sleepers not available at this time)

N/A



### Note:

All Dimensions are approximate, if accuracy is crucial, please contact us for validation of the dimensions shown. However, a 1" to 2" variance can still apply due to foam and upholstery.

## L-Shape / 90 Degree Sectional (All 4 seat items ship as one piece if stationary, two pieces if motion installed)

Put Green Arrows with Red Arrows to Create Sectional Groups

