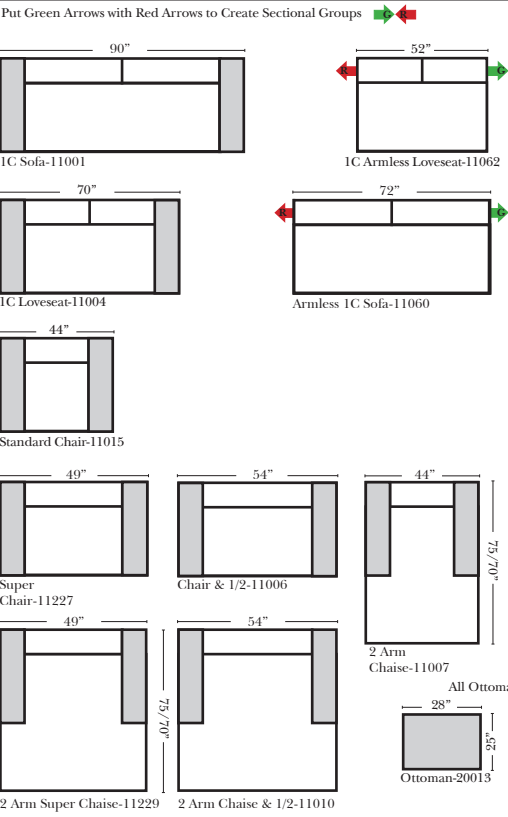
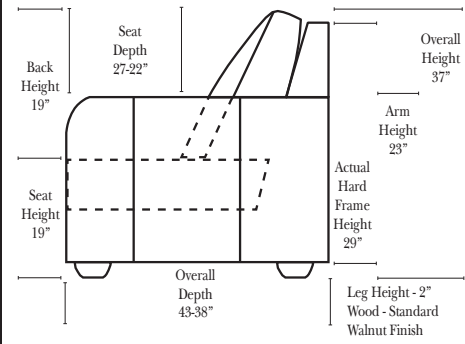
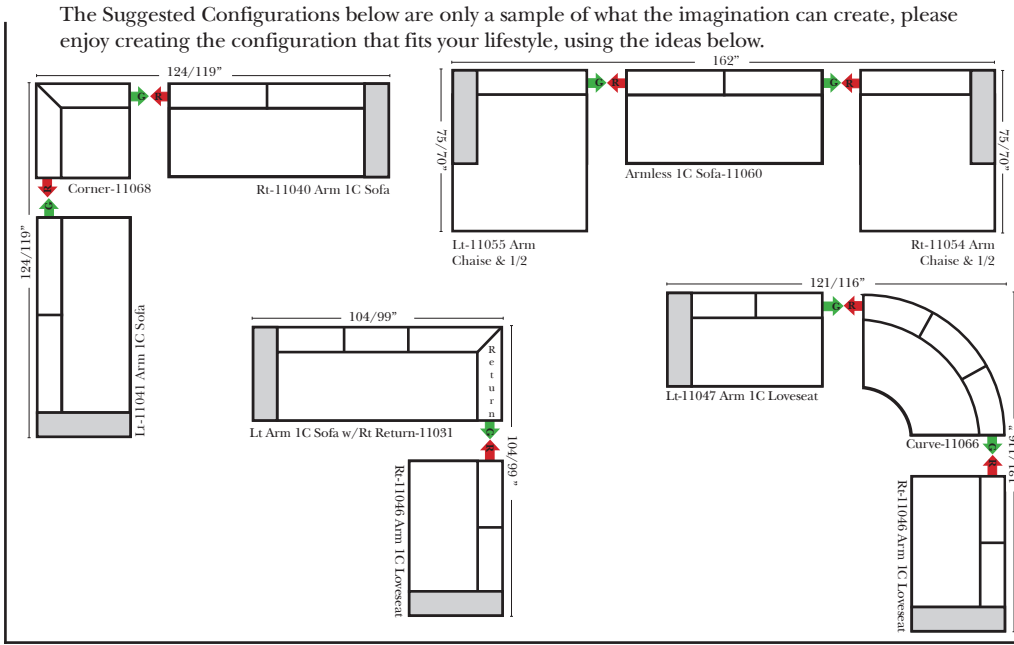


## Standard / Ottomans / Armless



## Suggested Configurations



### Standard & options

- Standard:**
- Available in Full & Top Grain Leathers
  - Available in Luxury Fabrics
  - All Hardwood Frames
  - Wood Leg Finish (Standard is Walnut)

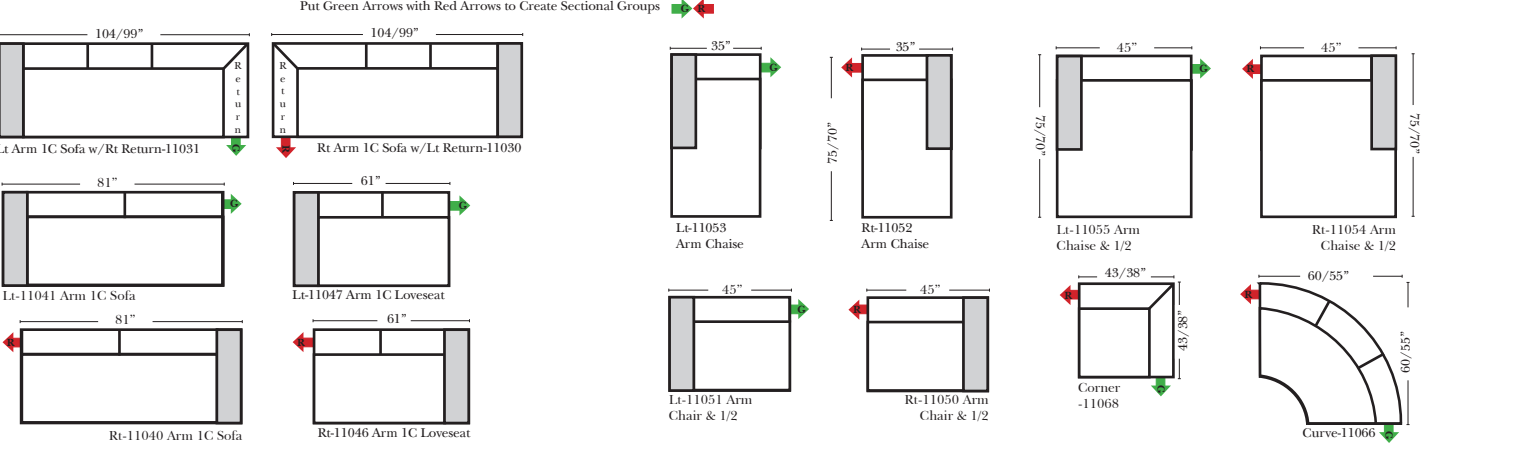
- Options: (No Additional Charge)**
- No. 33 Firm Foam Cushions
  - Wood Leg Finish (Available in Cherry, Chocolate, Espresso, Honey Oak, & Shadow)

- Options: (additional Charge)**
- Down Seats & Down Backs
  - Upholstered Swivel Base (2 arm Chair Only) (Not available on Super Chair or Chair & 1/2)

**Sleeper Options:** (N/A on this Style)

## L-Shape / 90 Degree Sectional

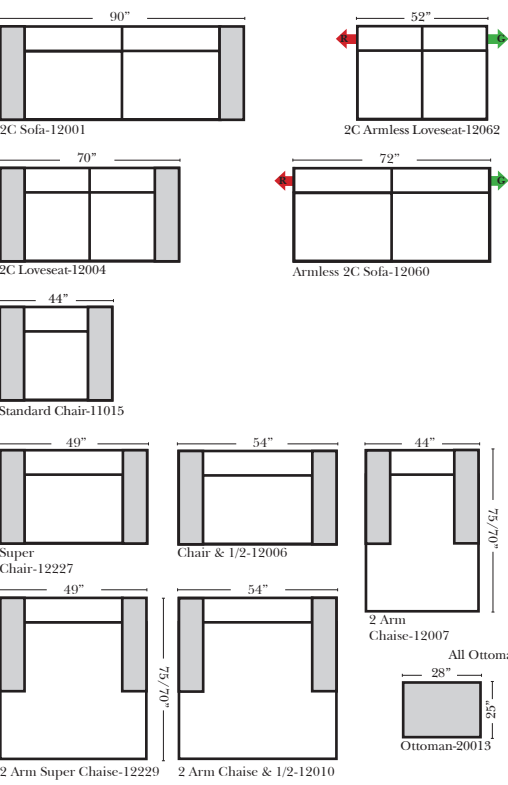
(All 4 seat items ship as one piece if stationary, two pieces if motion installed)



**Note:**  
All Dimensions are approximate, if accuracy is crucial, please contact us for validation of the dimensions shown. However, a 1" to 2" variance can still apply due to foam and upholstery.

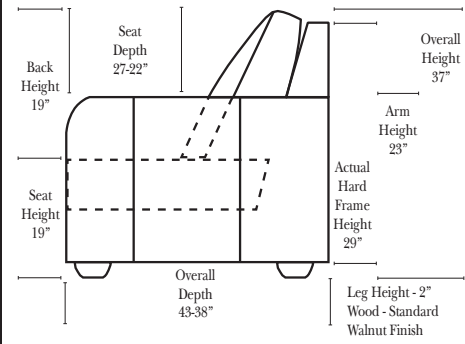
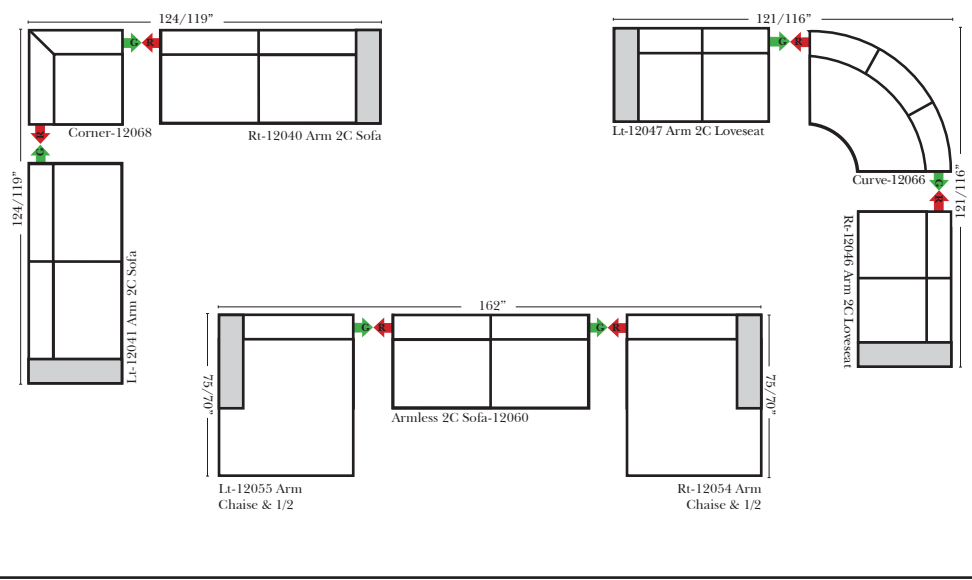
## Standard / Ottomans / Armless

Put Green Arrows with Red Arrows to Create Sectional Groups



## Suggested Configurations

The Suggested Configurations below are only a sample of what the imagination can create, please enjoy creating the configuration that fits your lifestyle, using the ideas below.



### Standard & options

#### Standard:

- Available in Full & Top Grain Leathers
- Available in Luxury Fabrics
- All Hardwood Frames
- Wood Leg Finish (Standard is Walnut)
- Nail Heads (where shown)

#### Options: (No Additional Charge)

- No. 33 Firm Foam Cushions
- Wood Leg Finish (Available in Cherry, Chocolate, Espresso, Honey Oak, & Shadow)

#### Options: (additional Charge)

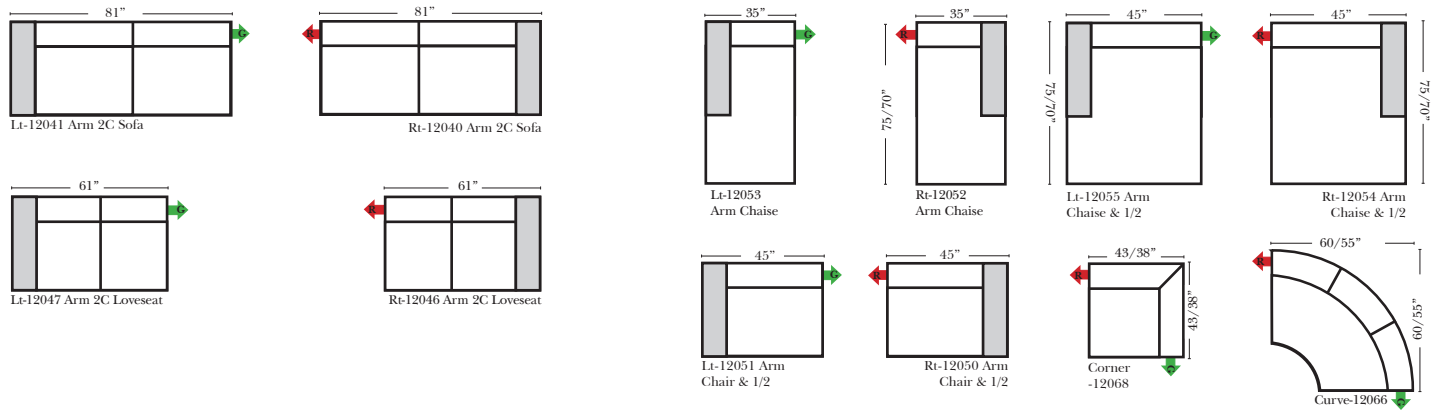
- Down Seats & Down Backs
- Upholstered Swivel Base (2 arm Chair Only) (Not available on Super Chair or Chair & 1/2)

#### Sleeper Options: (N/A on this Style)

## L-Shape / 90 Degree Sectional

(All 4 seat items ship as one piece if stationary, two pieces if motion installed)

Put Green Arrows with Red Arrows to Create Sectional Groups



### Note:

All Dimensions are approximate, if accuracy is crucial, please contact us for validation of the dimensions shown. However, a 1" to 2" variance can still apply due to foam and upholstery.

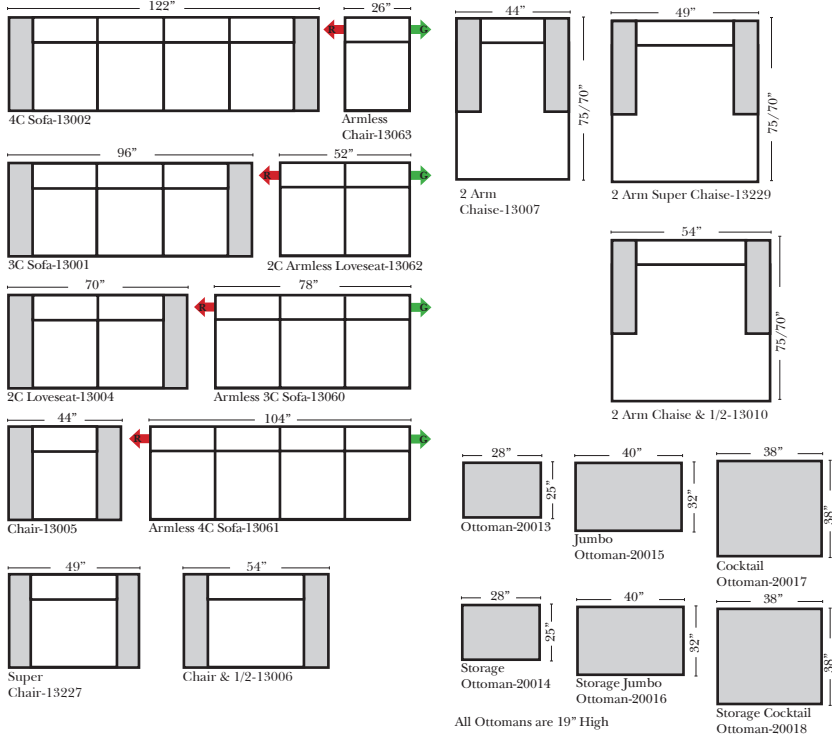
# Jax 3

(Deluxe or Studio)

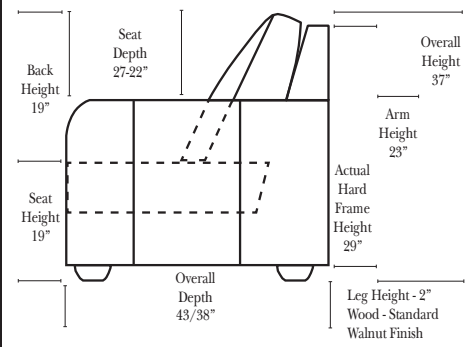
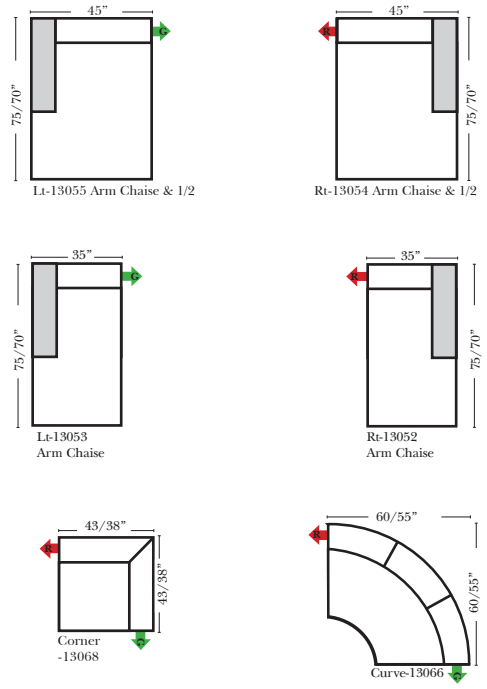
v.03.09.21

## Standard / Ottomans / Armless

Put Green Arrows with Red Arrows to Create Sectional Groups



## Additional Sectional Items



### Standard & options

- Standard:**
- Available in Full & Top Grain Leathers
  - Available in Luxury Fabrics
  - All Hardwood Frames
  - Wood Leg Finish (Standard is Walnut)
  - Nail Heads (where shown)
- Options: (No Additional Charge)**
- No. 33 Firm Foam Cushions
  - Wood Leg Finish (Available in Cherry, Chocolate, Espresso, Honey Oak, & Shadow)

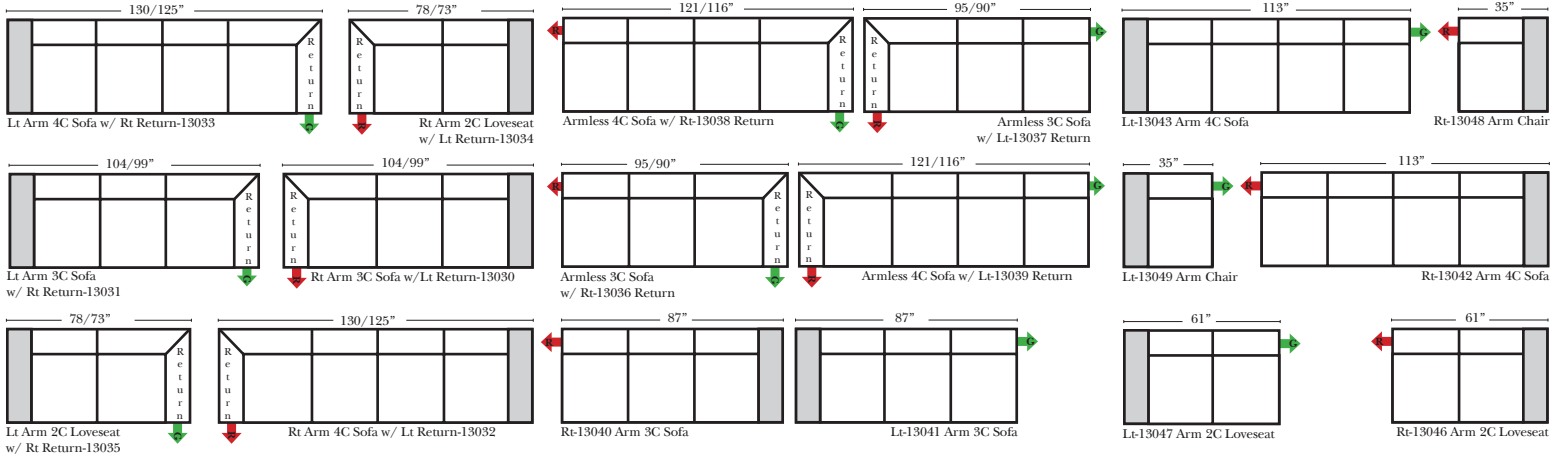
- Options: (additional Charge)**
- Down Seats & Down Backs
  - Upholstered Swivel Base (2 arm Chair Only) (Not available on Super Chair or Chair & 1/2)

**Sleeper Options:** (N/A on this Style)

## L-Shape / 90 Degree Sectional

(All 4 seat items ship as one piece if stationary, two pieces if motion installed)

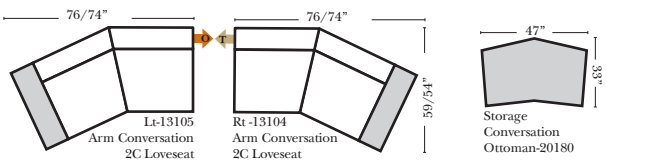
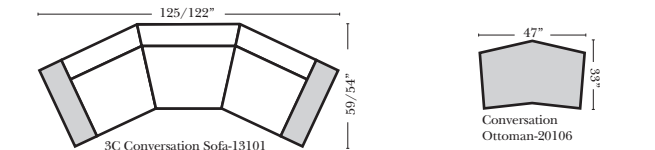
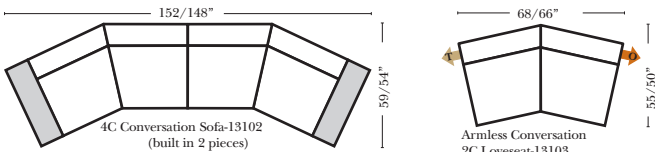
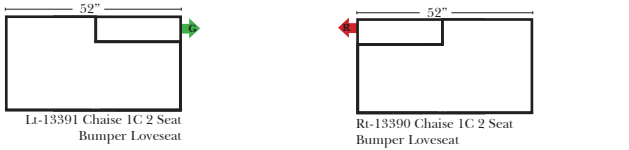
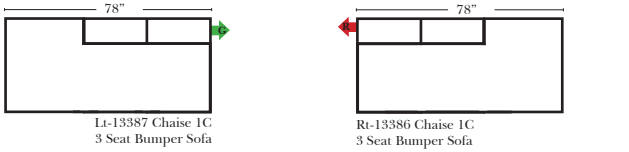
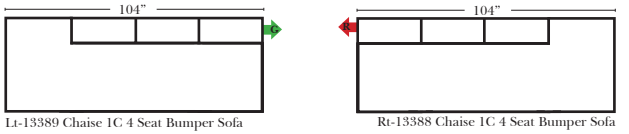
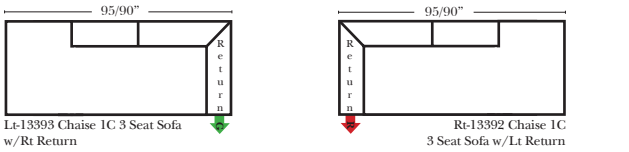
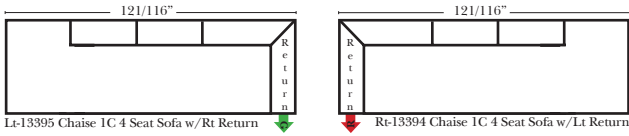
Put Green Arrows with Red Arrows to Create Sectional Groups



**Note:**  
 All Dimensions are approximate, if accuracy is crucial, please contact us for validation of the dimensions shown. However, a 1" to 2" variance can still apply due to foam and upholstery.

## Bumper / Return Chaise & Conversation Sofas

Put Green Arrows with Red Arrows to Create Sectional Groups



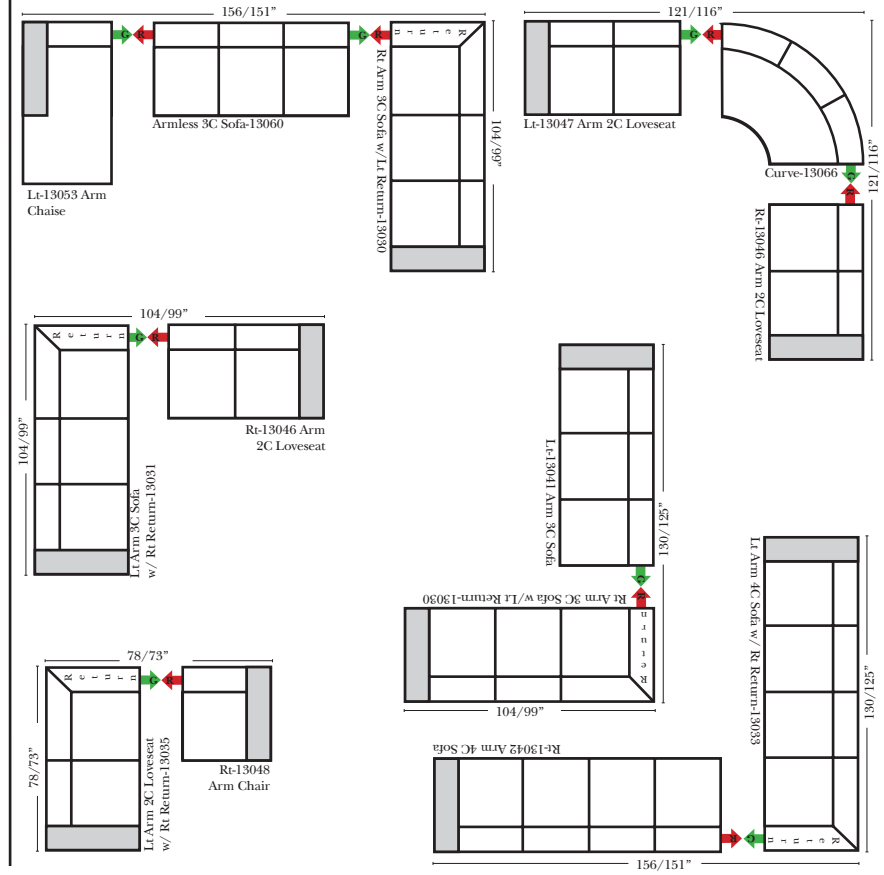
## Sleepers N/A

Sleepers  
not available for this style

## Suggested Configurations

v.03.09.21

The Suggested Configurations below are only a sample of what the imagination can create, please enjoy creating the configuration that fits your lifestyle, using the ideas below and from the items on the opposite page.



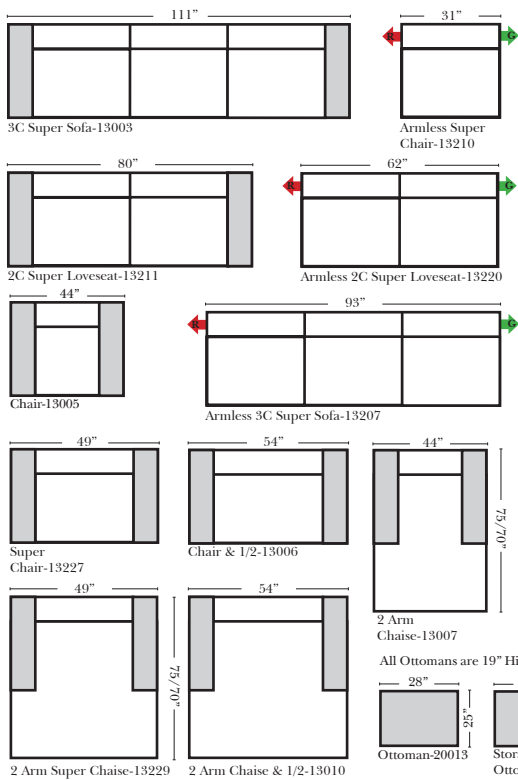
Sleepers (Cont.)

# Jax 3 Super (Deluxe or Studio)

v.03.09.21

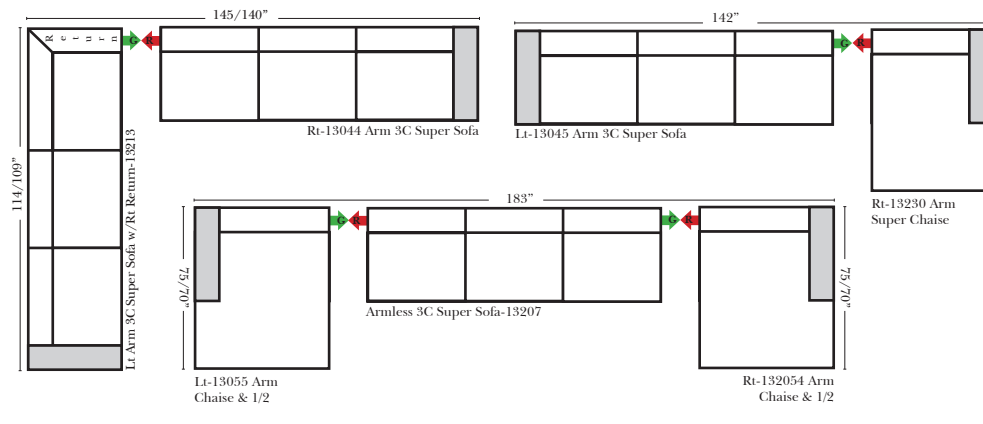
## Standard / Ottomans / Armless

Put Green Arrows with Red Arrows to Create Sectional Groups



## Suggested Configurations

The Suggested Configurations below are only a sample of what the imagination can create, please enjoy creating the configuration that fits your lifestyle, using the ideas below.



## Standard & options

### Standard:

- Available in Full & Top Grain Leathers
- Available in Luxury Fabrics
- All Hardwood Frames
- Wood Leg Finish (Standard is Walnut)
- Nail Heads (where Shown)

### Options: (No Additional Charge)

- No. 33 Firm Foam Cushions
- Wood Leg Finish (Available in Cherry, Chocolate, Espresso, Honey Oak, & Shadow)

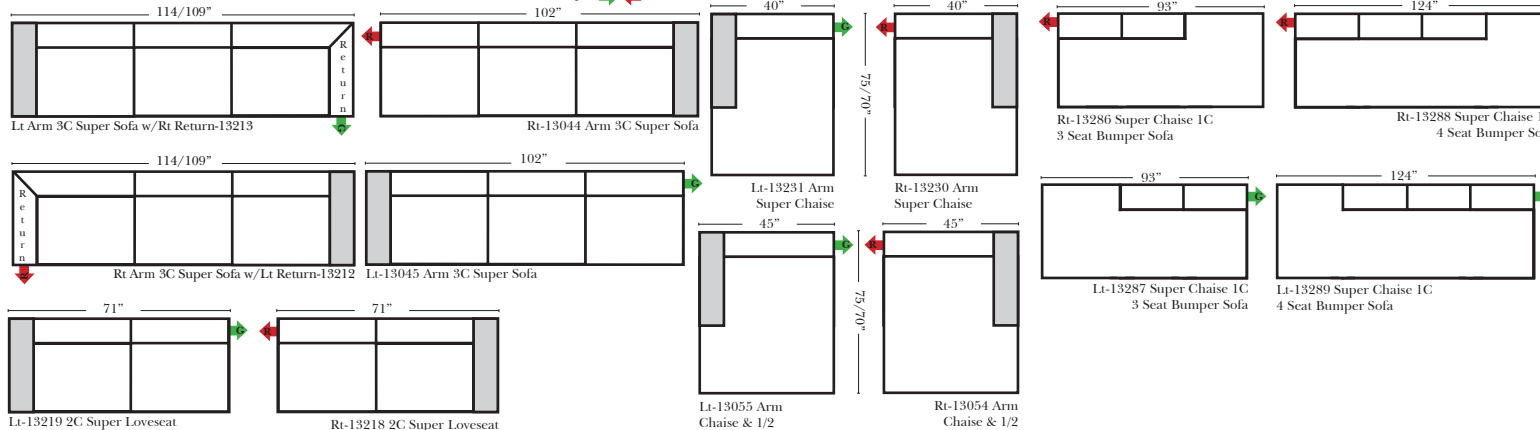
### Options: (additional Charge)

- Down Seats & Down Backs
- Upholstered Swivel Base (2 arm Chair Only) (Not available on Super Chair or Chair & 1/2)

### Sleeper Options: (N/A on this Style)

## L-Shape / 90 Degree Sectional / Bumper /Return Chaise

Put Green Arrows with Red Arrows to Create Sectional Groups



### Note:

All Dimensions are approximate, if accuracy is crucial, please contact us for validation of the dimensions shown. However, a 1" to 2" variance can still apply due to foam and upholstery.