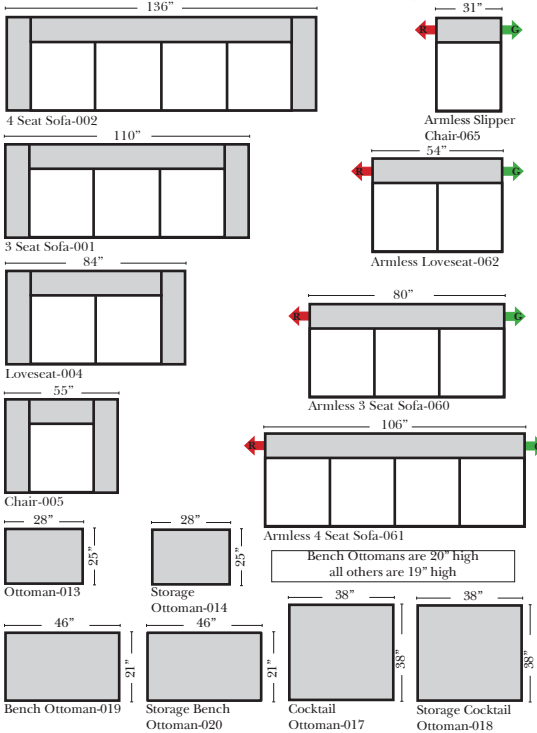


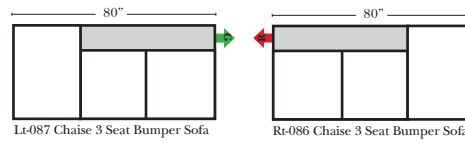
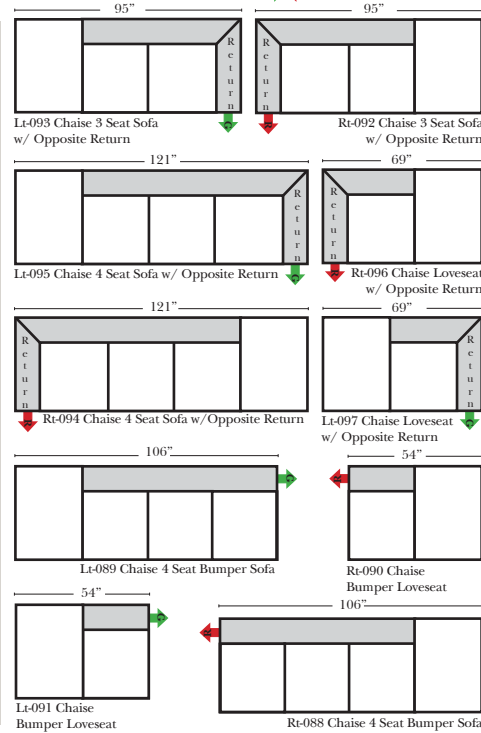
Standard, Armless & Ottomans

Put Green Arrows with Red Arrows to Create Sectional Groups

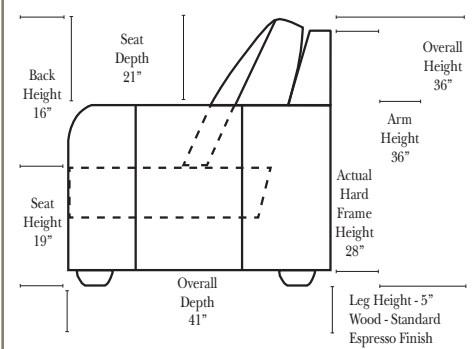
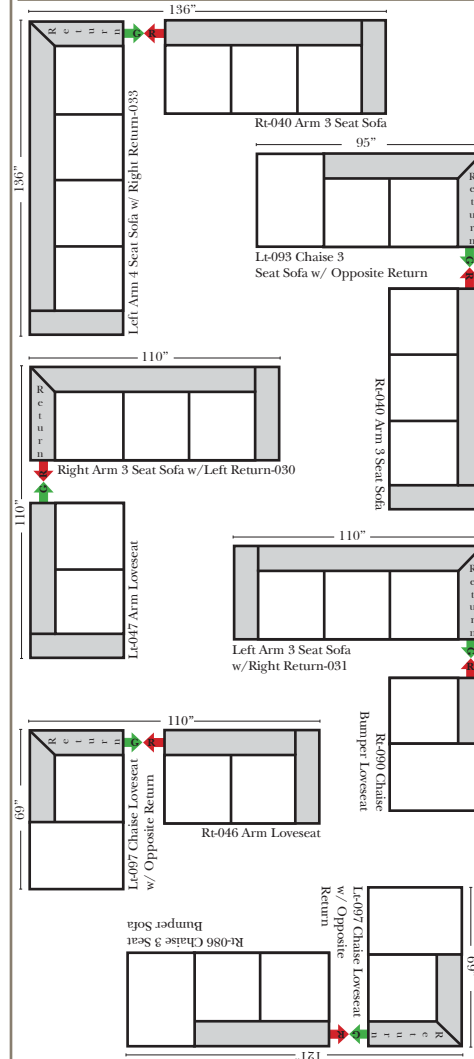


Bumper Chaise & Return Chaise

Green Arrows with Red Arrows to mix with some of the L-Shaped pieces.



Suggested Configurations



Features

- Standard:**
- Available in Full & Top Grain Leathers
 - Available in Luxury Fabrics
 - All Hardwood Frames
 - Nail Heads on seat panel, and front arm panels
 - Wood Base - Espresso Finish (N/C Honey Oak Option)
- Options:**
- Down Seats & Down Backs (additional Charge)
 - No. 33 Firm Foam

Sleeper Options: (No Sleepers are available for this style)

Note:

All Dimensions are approximate, if accuracy is crucial, please contact us for validation of the dimensions shown. However, a 1" to 2" variance can still apply due to foam and upholstery.

L-Shape / 90 Degree Sectional (All 4 seat items ship as one piece if stationary, two pieces if motion installed)

Put Green Arrows with Red Arrows to Create Sectional Groups

