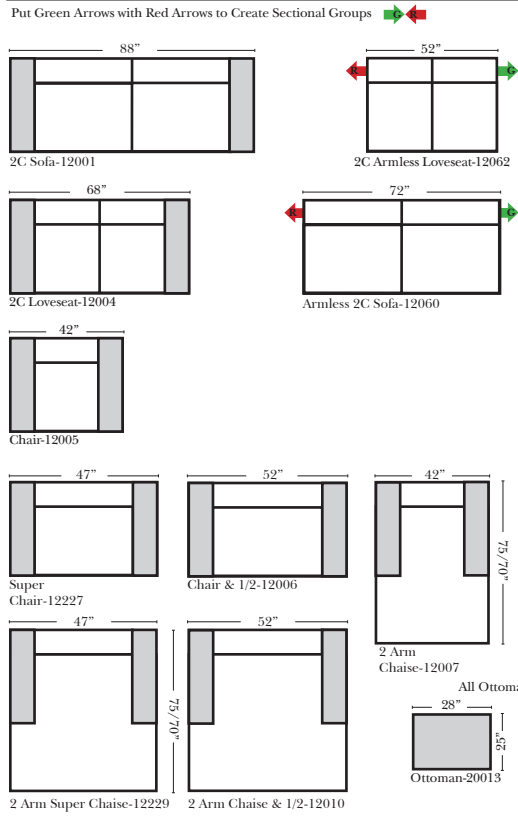


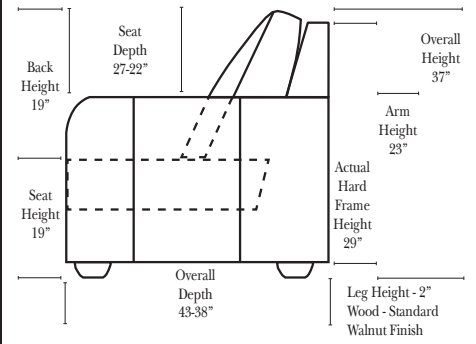
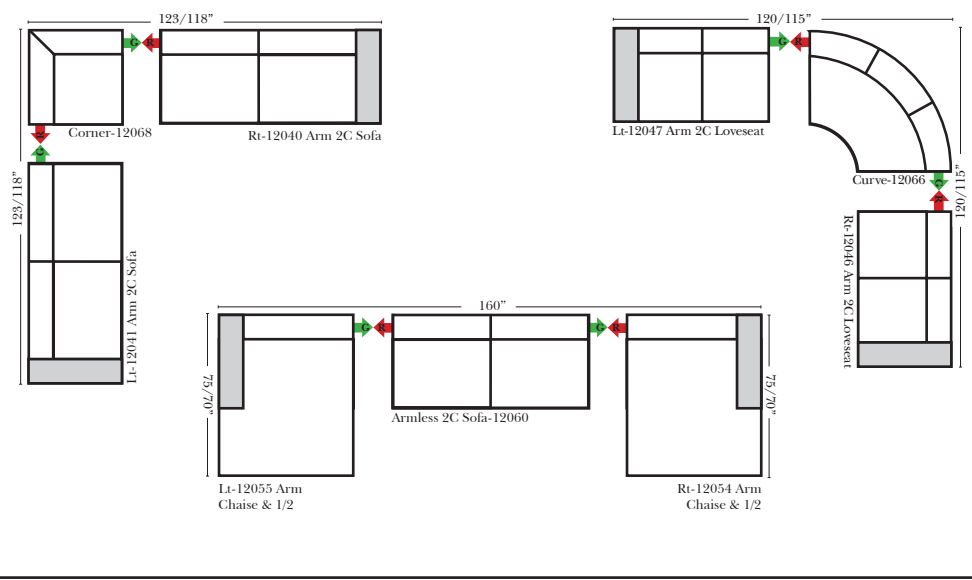
# Max 2 (Deluxe or Studio)

## Standard / Ottomans / Armless



## Suggested Configurations

The Suggested Configurations below are only a sample of what the imagination can create, please enjoy creating the configuration that fits your lifestyle, using the ideas below.



### Standard & options

- Standard:**
- Available in Full & Top Grain Leathers
  - Available in Luxury Fabrics
  - All Hardwood Frames
  - Wood Leg Finish (Standard is Walnut)

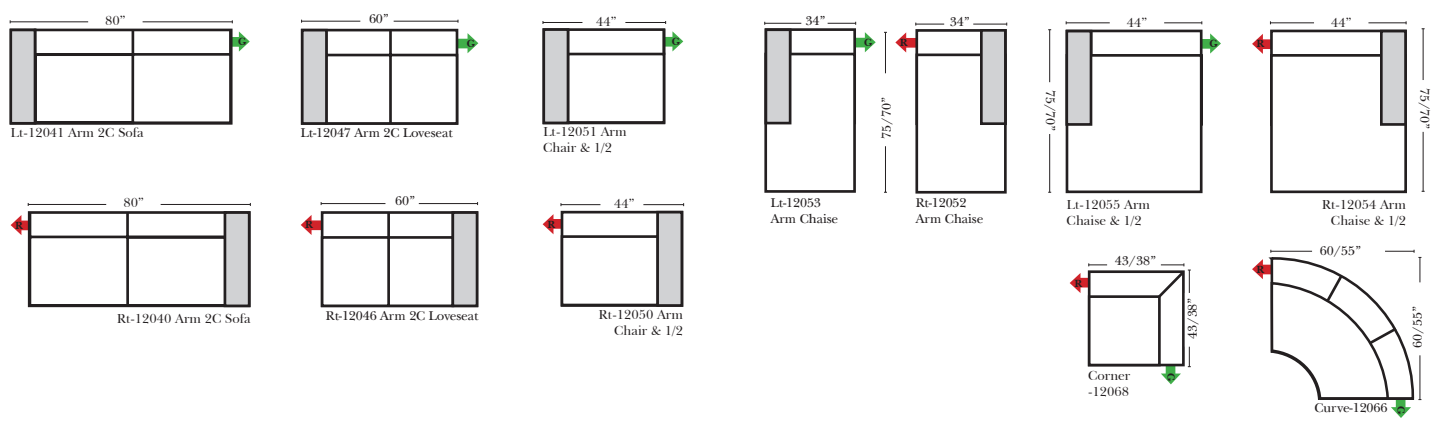
- Options: (No Additional Charge)**
- No. 33 Firm Foam Cushions
  - Wood Leg Finish (Available in Cherry, Chocolate, Espresso, Honey Oak, & Shadow)

- Options: (additional Charge)**
- Down Seats & Down Backs
  - Upholstered Swivel Base (2 arm Chair Only) (Not available on Super Chair or Chair & 1/2)

**Sleeper Options:** (N/A on this Style)

## L-Shape / 90 Degree Sectional

(All 4 seat items ship as one piece if stationary, two pieces if motion installed)



**Note:**  
All Dimensions are approximate, if accuracy is crucial, please contact us for validation of the dimensions shown. However, a 1" to 2" variance can still apply due to foam and upholstery.