

# Big Sur / Pismo Beach / Santa Monica Ergo Collection

## Ergo Collection



Big Sur

### Features & Specifications

- 2 Sizes - Medium & Large will fit in any room.
- 3 Seat Heights 17", 18" (Standard) and 19" bases.
- 2 Base Finishes Espresso and Walnut
- Variable Ottoman Height 16" to 19".
- Adjustable Headrests for Maximum Comfort.
- 360° Swivel Capability Rotates with ease.
- Cold-Cure High Performance Foam envelops the frame softening edges and providing outstanding long term shape.
- Smooth Comfort Reclining Mechanism Simply use your body weight for ergonomic posture control.
- Easy turn locking knob to keep fluid or lock in varied positions.
- Available in Full & Top Grain Leathers
- Available in Luxury Fabrics



Pismo Beach



360°



Santa Monica

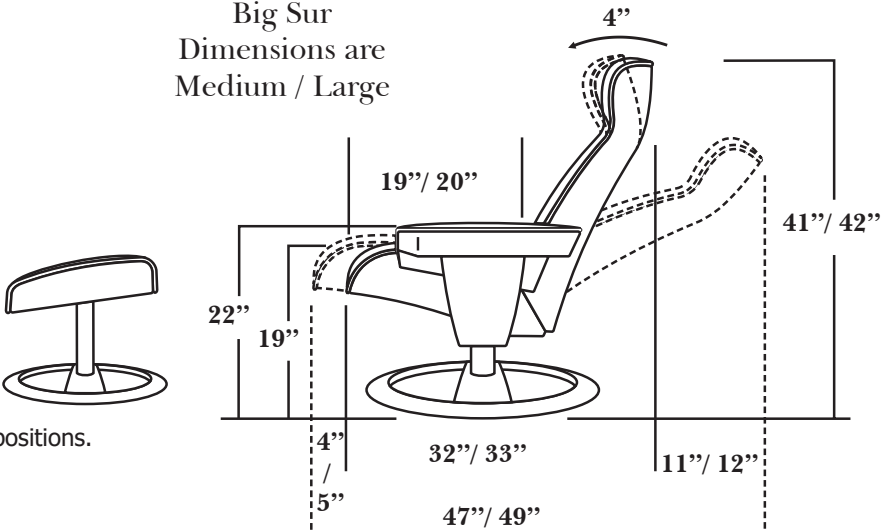


### Note:

All Dimensions are approximate, if accuracy is crucial, please contact us for validation of the dimensions shown. However, a 1" to 2" variance can still apply due to foam and upholstery.

## Dimensions

Big Sur  
Dimensions are  
Medium / Large



The Length Dimension for all Ergo Chairs is  
Medium / Large  
32''/34''

Pismo Beach / Santa Monica  
Dimensions are  
Medium / Large

