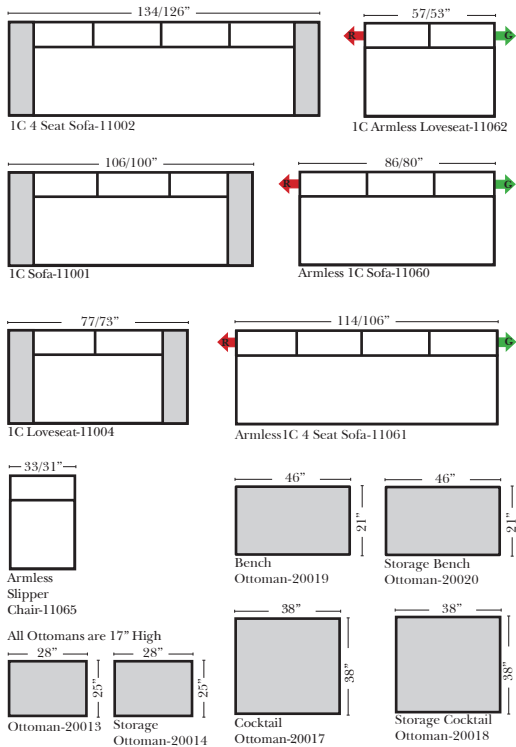


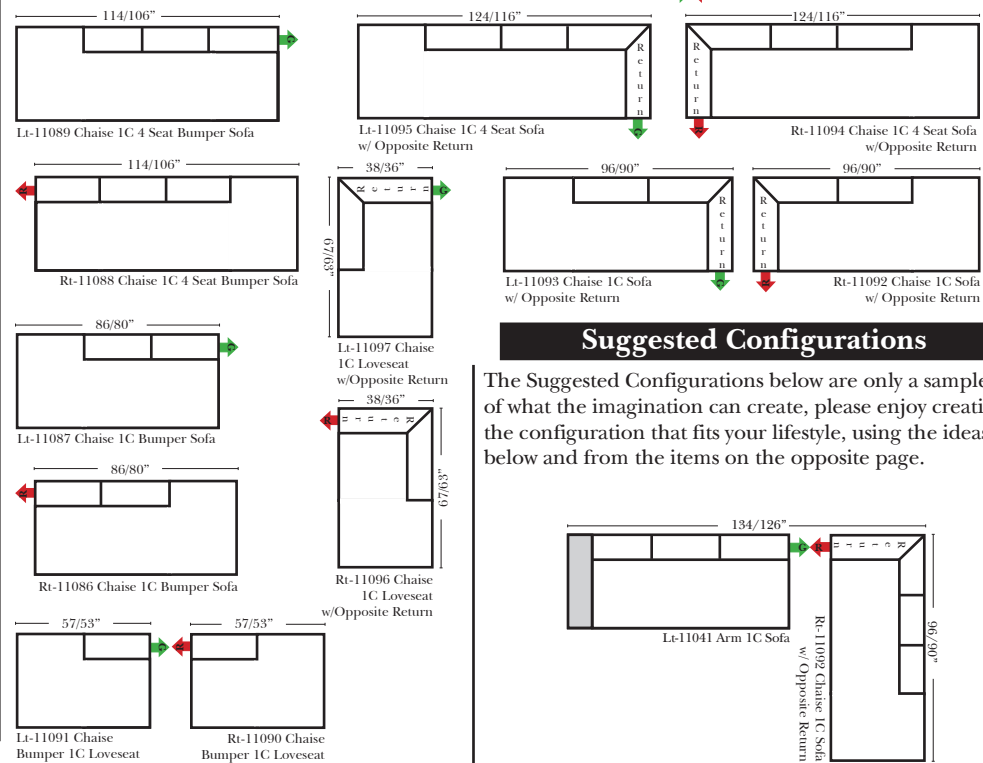
Standard / Ottomans / Armless

Put Green Arrows with Red Arrows to Create Sectional Groups → ←



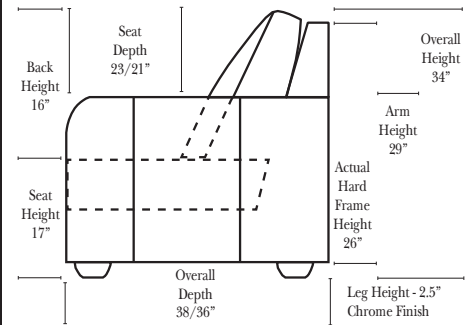
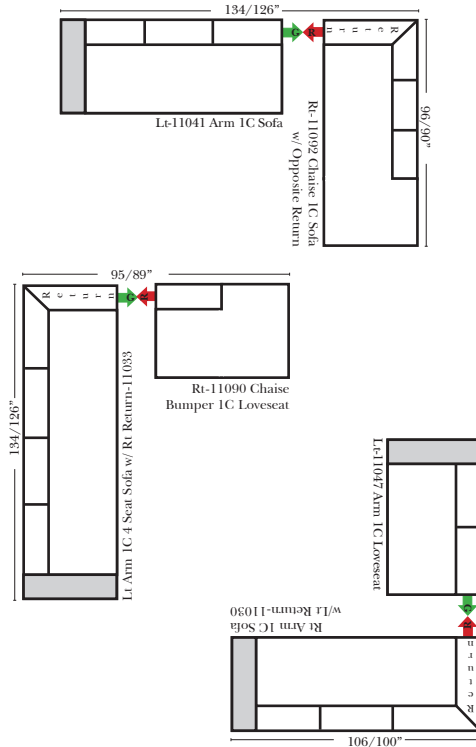
Bumper Chaise & Return Chaise

Put Green Arrows with Red Arrows to Create Sectional Groups → ←



Suggested Configurations

The Suggested Configurations below are only a sample of what the imagination can create, please enjoy creating the configuration that fits your lifestyle, using the ideas below and from the items on the opposite page.



Standard & options

Standard:

- Available in Full & Top Grain Leathers
- Available in Luxury Fabrics
- All Hardwood Frames
- Leg - Walnut Finish

Options: (No Additional Charge)

- No. 33 Firm Foam Cushions
- Wood Leg - Available Finishes are: Cherry, Chocolate, Espresso, Honey Oak, Shadow

Options: (additional Charge)

N/A

Sleepers: (Not Available on this style)

N/A



Note:

All Dimensions are approximate, if accuracy is crucial, please contact us for validation of the dimensions shown. However, a 1" to 2" variance can still apply due to foam and upholstery.

L-Shape / 90 Degree Sectional

Put Green Arrows with Red Arrows to Create Sectional Groups → ←

